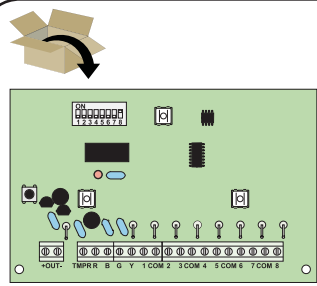


DX2010

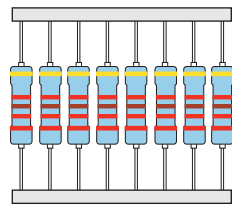


**Input Expander
Installation Instructions**

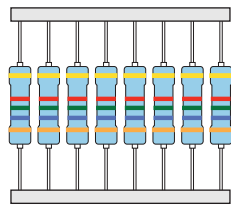


- 3- 3.5 mm (#6)
- 3- 4.0 mm (#8)
- 3- P/N: 46884B
- 1- P/N: 26365C

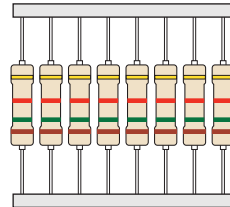
1- P/N: DX2010



2- P/N: 47819 (2.2 kΩ)



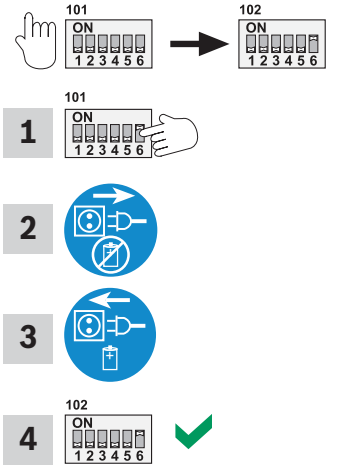
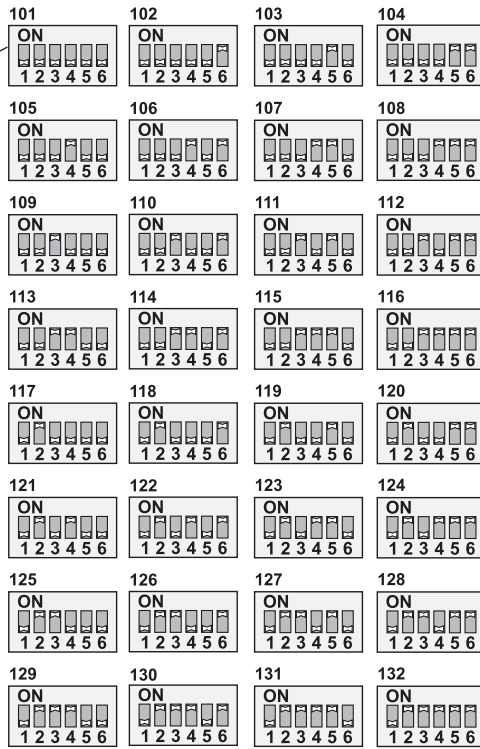
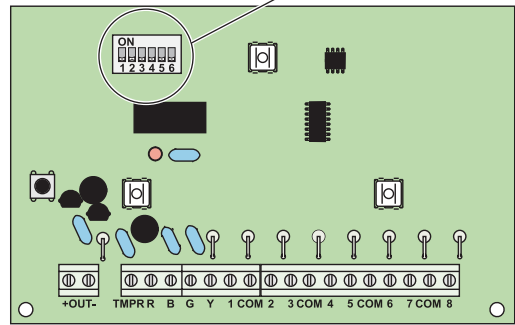
1- P/N: 47821 (3.65 kΩ)



1- P/N: 47851 (1.5 kΩ)

[US] For UL-approved installations, Use 2.2 kW resistors.

1



? Product **D6412/D4412 DS7200/DS7200V2 ICP-EZM2**

www.boschsecurity.com

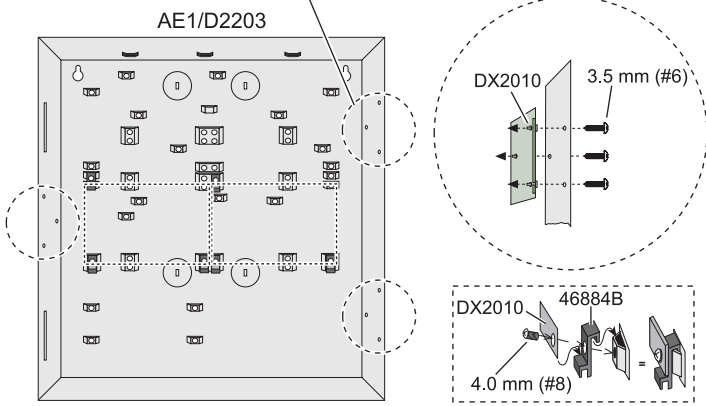
© 2015 Bosch Security Systems, Inc. P/N: F01U071894-09



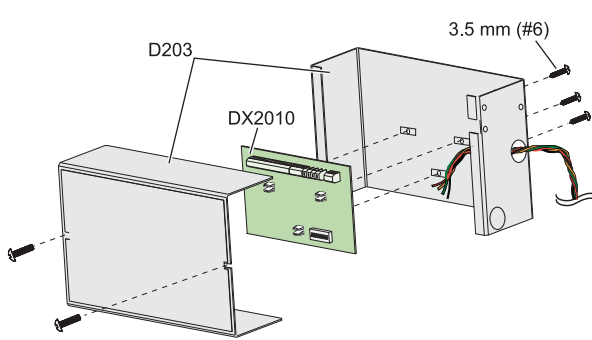
2

[FR] Pour une installation NF & A2P, utiliser l'emplacement situé en haut à droite du coffret.

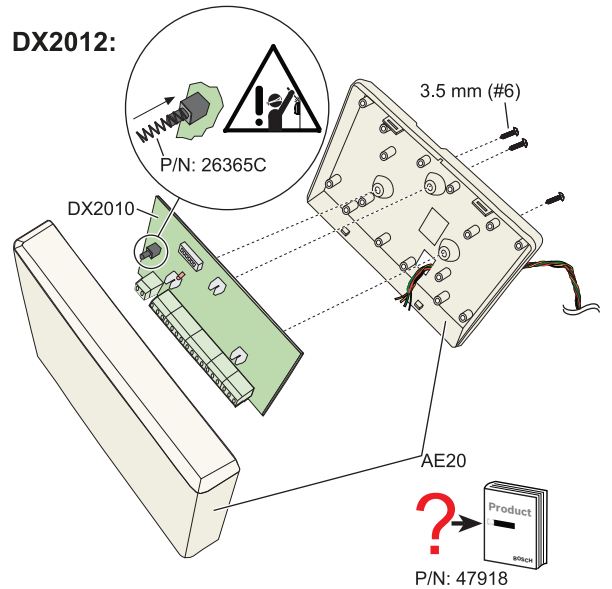
DX2010:



DX2011:

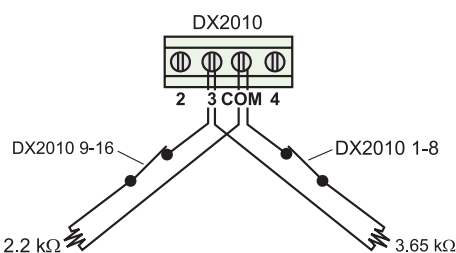
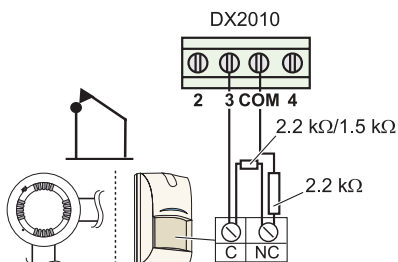
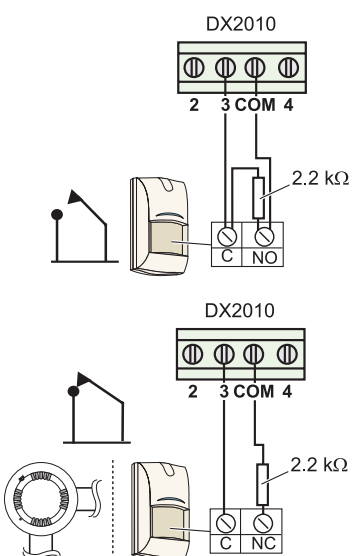
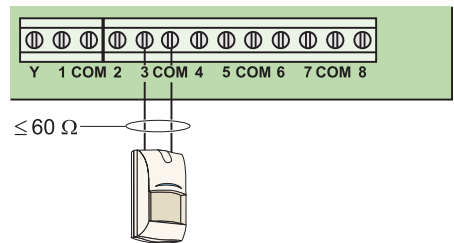
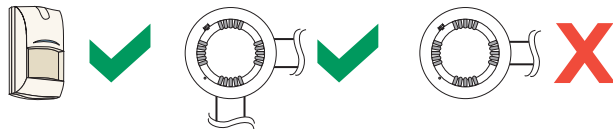


DX2012:

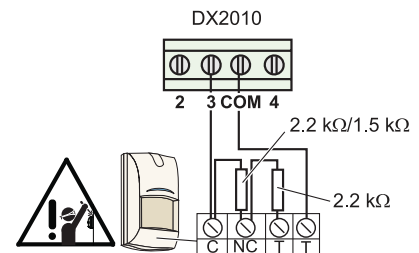


3

? Product **D6412/D4412 DS7200/DS7200V2 ICP-EZM2**

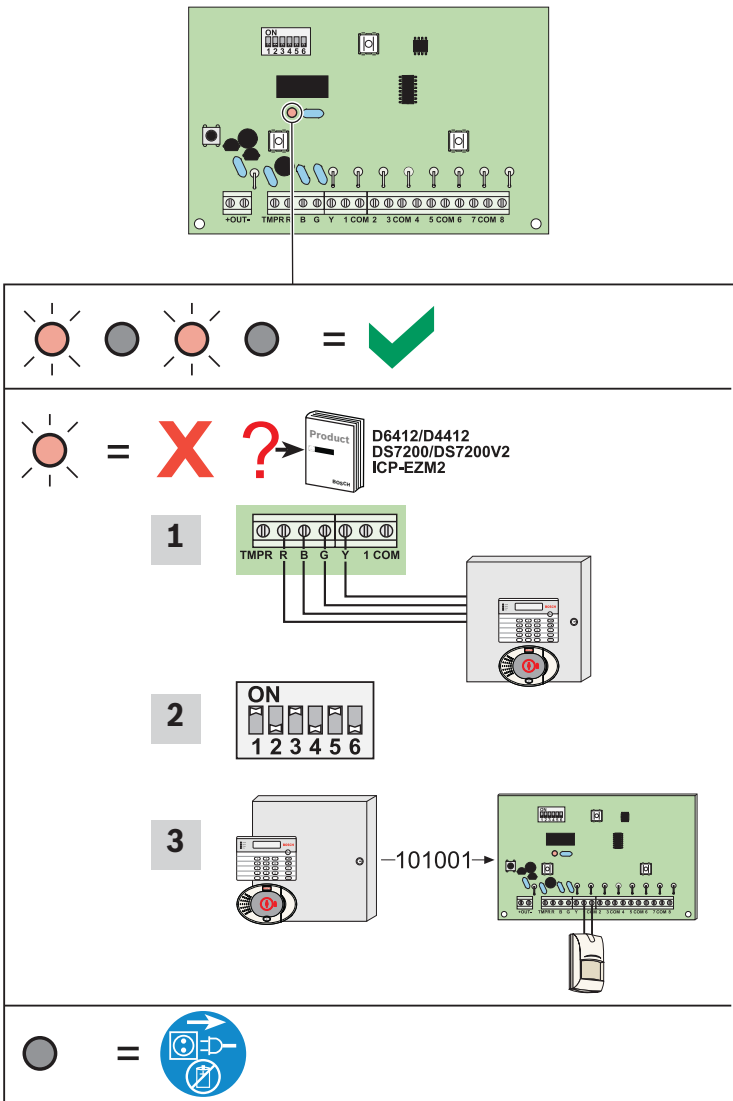
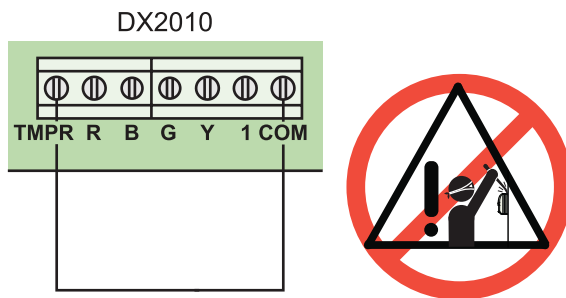
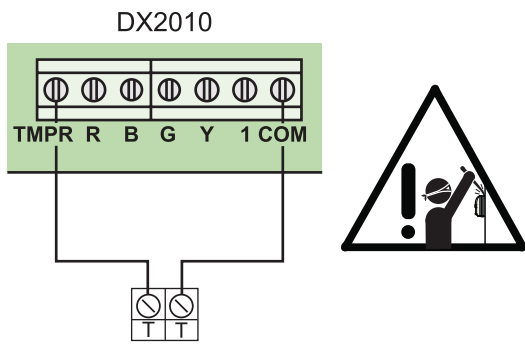
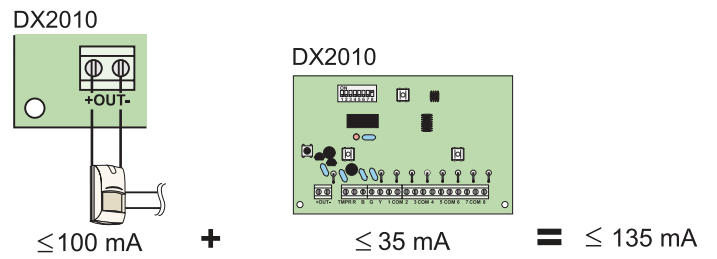
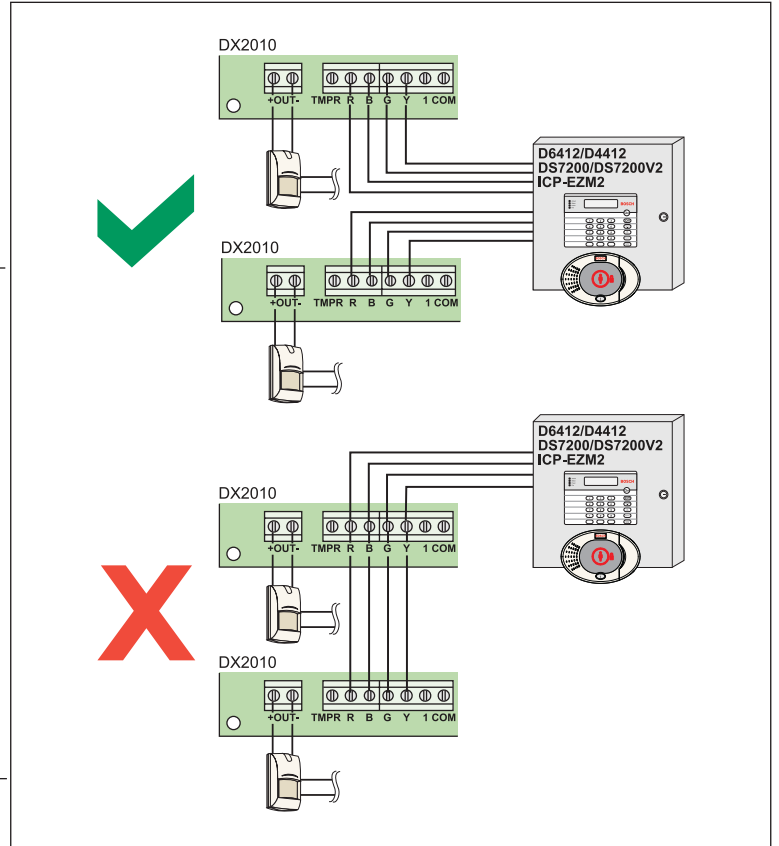
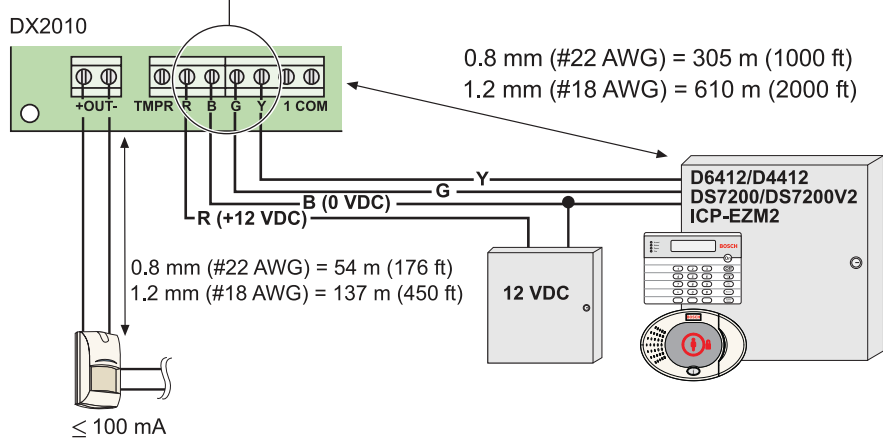
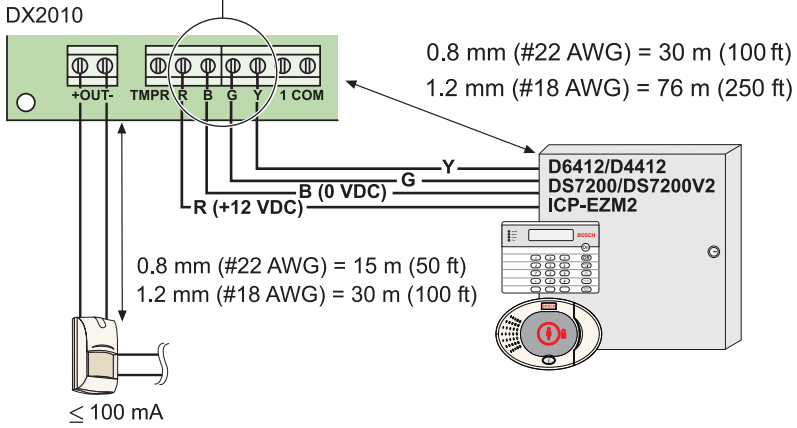
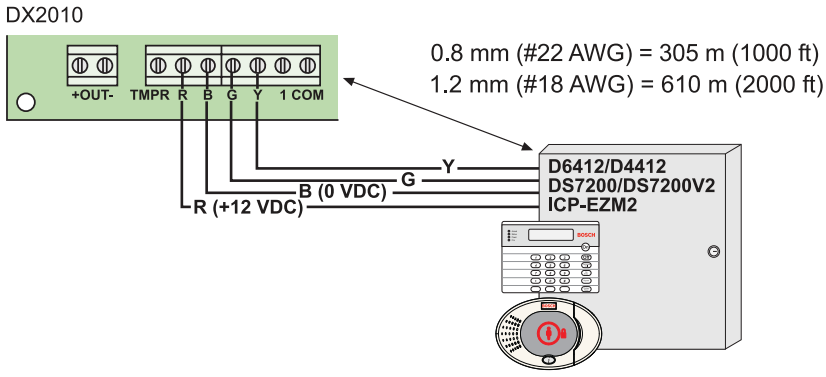


[US] UL: Do not use zone doubling for fire points.



[US] UL: For fire applications, only use normally open contacts. UL: Do not use tamper EOL configurations.

© 2015 Bosch Security Systems, Inc. P/N: F01U071894-09



EN50131-1 Security Grade 2, Environmental Class II

BE INCERT: B-509-0005/d

FR Attestation N° 122000076-03 Module DX2010 délivré par: CNMIS SAS, 8 place Boulnois, 75017 PARIS CNPP Certification, 27950 St Marcel

EN CSFM

- UL: Test according to NFPA if used in fire applications.
- UL365 Police Station Connected Burglar Alarm Units and Systems
- UL609 Local Burglar Alarm Units and Systems
- UL985 Household Fire Warning System Units
- UL1023 Household Burglar Alarm System Units
- UL1076 Proprietary Burglar Alarm Units and Systems
- UL1610 Central Station Burglar Alarm Units
- UL1635 Digital Alarm Communicator Systems

- cUL: Install according to ULC-S302.
- CAN/ULC-S304-M88, Central and Monitoring Station Burglar Alarm Units
- CAN/ULC-S545, Residential Fire Warning System Control Units
- C1023, Household Burglar Alarm Units
- CAN/ULC-S303, Local Burglar Alarm Units and Systems
- C1076, Proprietary Burglar Alarm Units and Systems

8 VDC - 14 VDC

-10°C - +55°C (+14°F - +131°F)

US For UL Listed installations, the temperature range is 0°C to +49°C (+32°F to +120°F), humidity 93%

5% - 85% @ +30°C (+86°F)

